



TOGGLE CLAMPS



KTC supplies three series of flange mounting toggle clamps, with holding capacities of 200LB, 400LB and 600LB.

The clamp bodies are made of cold rolled steel and zinc plated. They are assembled with stainless steel rivets for extra durability. All clamps are equipped with a choice of rubber head spindles or swivel head spindles.

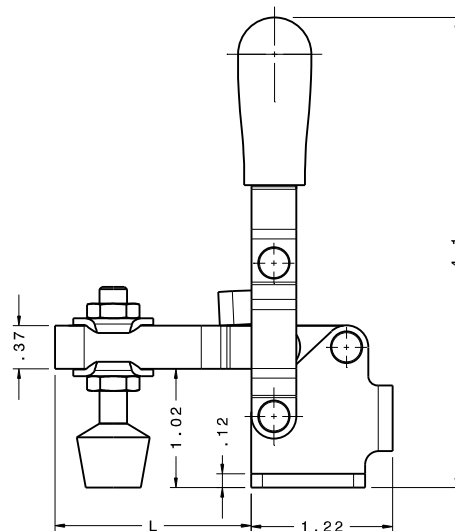
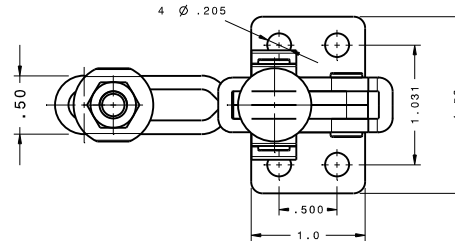
The 3D CAD models are available at www.kintocanada.com.



Vertical Clamp 200 Series

Technical Specifications:
 Holding Capacity: 200 LB
 Bar Open Angle: 108°
 Handle Open Angle: 60°

Cross Reference:
 Destaco: 202-U, 202-UL
 Carr Lane: CL-253VTC



Unit: Inch

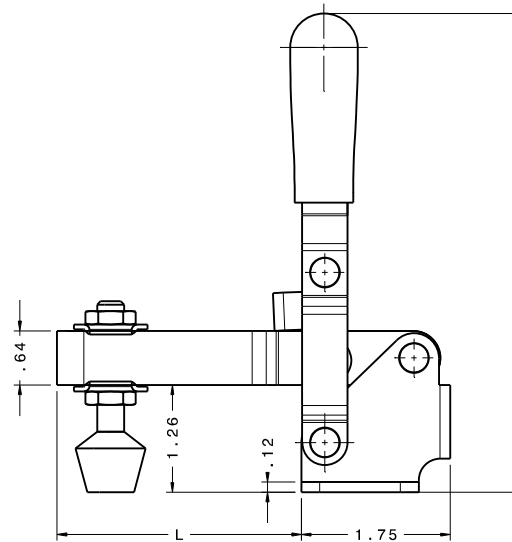
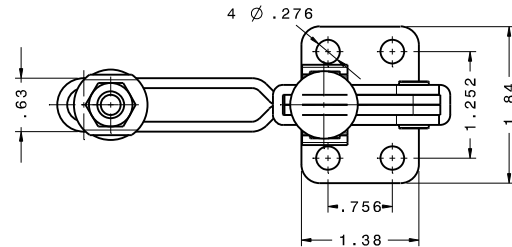
PART NO.	CLAMP	L	SPINDLE
KTC-VC-200	KTC-VC-200	1.69	NO
KTC-VC-200-R	KTC-VC-200	1.69	KTC-RHS-200
KTC-VC-200-S	KTC-VC-200	1.69	KTC-SHS-200
KTC-VC-201	KTC-VC-201	2.36	NO
KTC-VC-201-R	KTC-VC-201	2.36	KTC-RHS-200
KTC-VC-201-S	KTC-VC-201	2.36	KTC-SHS-200



Vertical Clamp 400 Series

Technical Specifications:
 Holding Capacity: 400 LB
 Bar Open Angle: 115°
 Handle Open Angle: 57°

Cross Reference:
 Destaco: 207-U, 207-UL
 Carr Lane: CL-453VTC



Unit: Inch

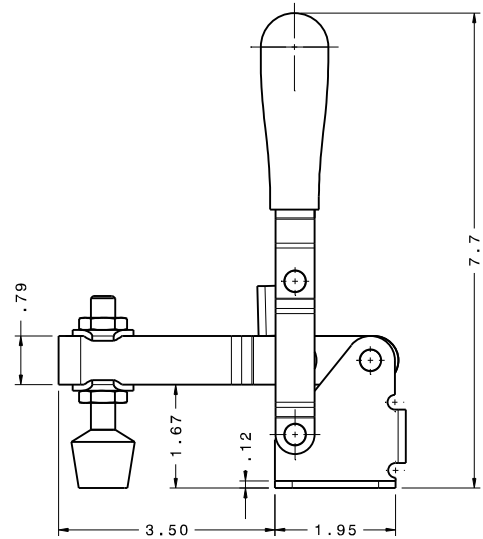
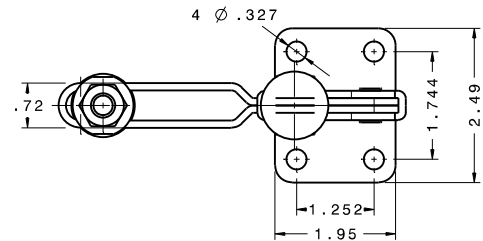
PART NO.	CLAMP	L	SPINDLE
KTC-VC-400	KTC-VC-400	2.87	NO
KTC-VC-400-R	KTC-VC-400	2.87	KTC-RHS-400
KTC-VC-400-S	KTC-VC-400	2.87	KTC-SHS-401
KTC-VC-401	KTC-VC-401	3.74	NO
KTC-VC-401-R	KTC-VC-401	3.74	KTC-RHS-400
KTC-VC-401-S	KTC-VC-401	3.74	KTC-SHS-401



Vertical Clamp 600 Series

Technical Specifications:
 Holding Capacity: 600 LB
 Bar Open Angle: 110°
 Handle Open Angle: 66°

Cross Reference:
 Destaco: 210-U
 Carr Lane: CL-650VTC




Unit: Inch

PART NO.	CLAMP	SPINDLE
KTC-VC-600	KTC-VC-600	NO
KTC-VC-600-R	KTC-VC-600	KTC-RHS-600
KTC-VC-600-S	KTC-VC-600	KTC-SHS-601




Clamp Accessories

Rubber Head Spindles

	PART NO.	THREAD	LENGTH (IN)
	KTC-RHS-200	1/4x20	1.89
	KTC-RHS-400	5/16x18	2.28
KTC-RHS-600	3/8x16	3.36	

Swivel Head Spindles

	PART NO.	THREAD	LENGTH (IN)
	KTC-SHS-200	1/4x20	2 1/4
	KTC-SHS-400	5/16x18	2 3/4
KTC-SHS-600	3/8x16	3	